

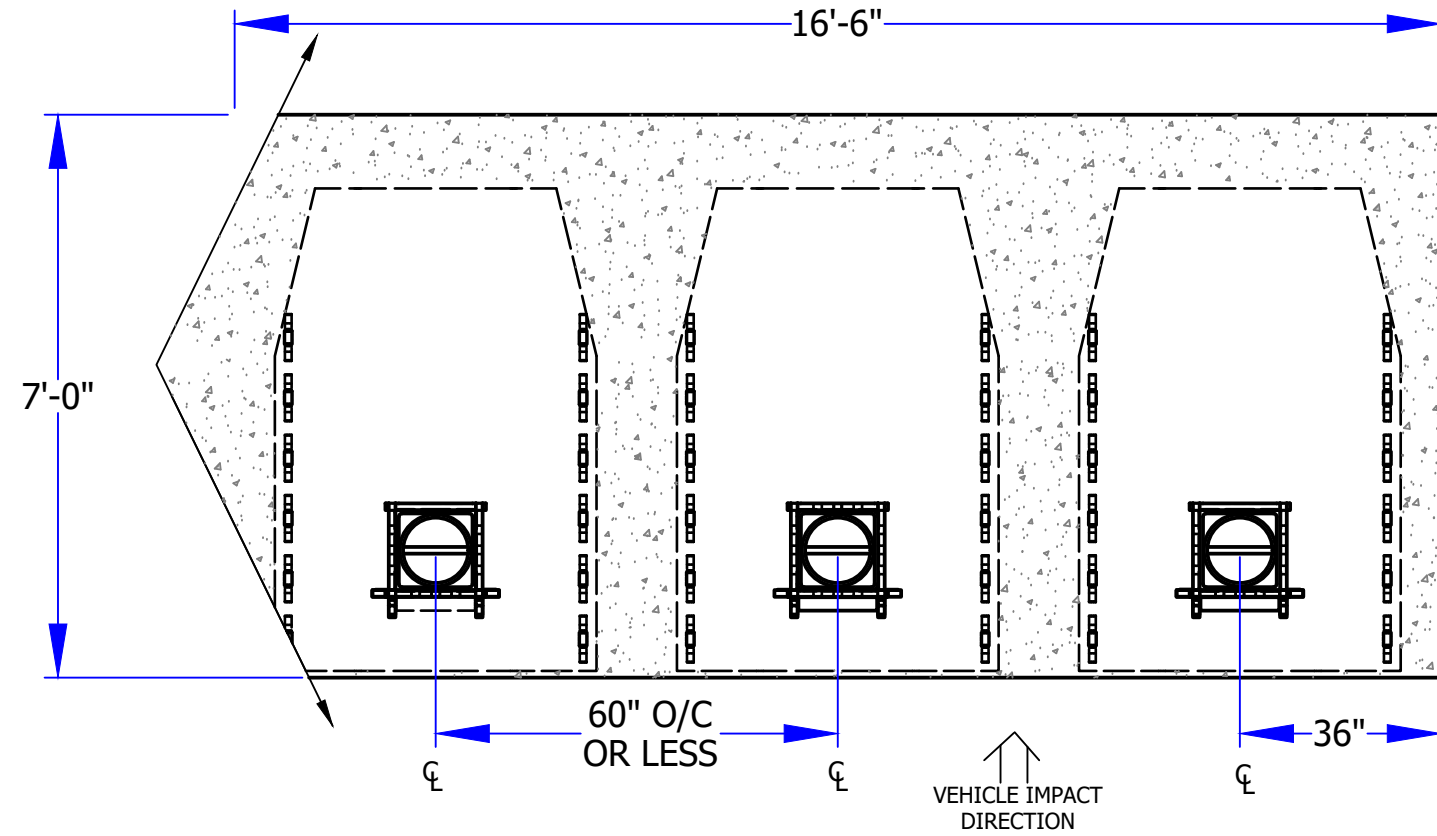
SUPER SHALLOW POST , MODEL SS-800

ASTM-M40 P1, SUPER SHALLOW FOUNDATION AT ONLY 4" EXCAVATION DEPTH

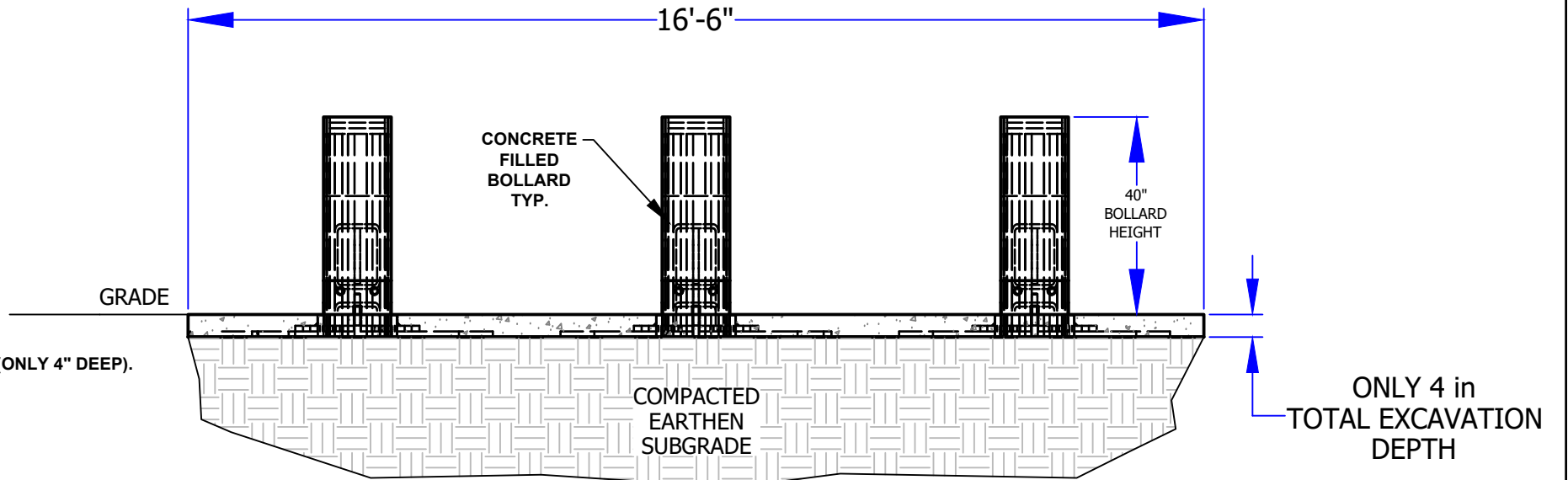
PROPRIETARY AND CONFIDENTIAL
DO NOT COPY OR REPRODUCE
ALL RIGHTS RESERVED

3 BOLLARD ARRAY MINIMUM

TOP VIEW



FRONT VIEW



KEY CAPABILITIES

1. SIMPLE AND QUICK INSTALLATION - ONLY ONE PREFABRICATED MODULAR UNIT
2. SUPER SHALLOW FOUNDATION IS IDEAL FOR PARKING DECK OR IF BASEMENT, SUBWAY OR TUNNELS ARE BELOW (ONLY 4" DEEP).
3. SHALLOW FOUNDATION AVOIDS UNDERGROUND UTILITIES.
4. NO FIELD WELDING OR BOLTING (REDUCES INSTALLATION TIME AND COST).
5. MODULAR BOLLARD SYSTEM ACCOMMODATES TURNS, GRADE CHANGES, AND FIELD ADJUSTMENTS.
6. NO STIRRUPS OR REBAR OR TYING.
7. NO SPECIALTY COMPONENTS OR PARTS REQUIRED TO MAKE TURNS.
8. VARIETY OF BOLLARD COVERS AVAILABLE (THERMOPLASTIC, DECORATIVE, STAINLESS STEEL, LIGHTED, ETC.)



BARRIER1 SYSTEMS

8015 THORNDIKE ROAD
GREENSBORO, NC 27409
(336) 617-8478 (336) 617-8471 FAX
mlamore@barrier1.us www.barrier1.us

PATENT PENDING
THE DRAWINGS AND INFORMATION CONTAINED HEREIN ARE PROPRIETARY AND CONFIDENTIAL AND FOR USE BY ONLY PERSONS WORKING ON PROJECT WITH BARRIER1 SYSTEMS, INC. DO NOT COPY OR REPRODUCE. ALL RIGHTS RESERVED.

SUPER SHALLOW POST
MODEL SS-800 - 4 IN

WEBSITE
DRAWING

SHEET: 1

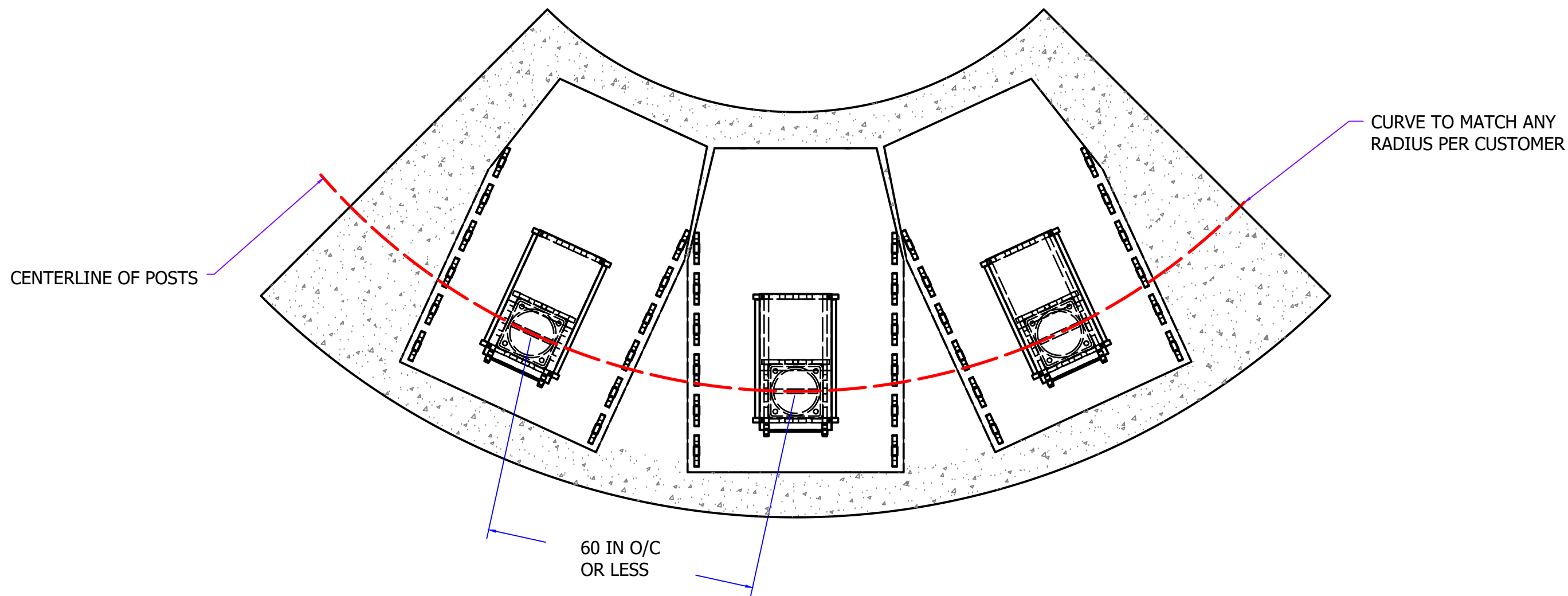
20210428-01-P

SCALE: N.T.S.

SUPER SHALLOW POST , MODEL SS-800
 ASTM-M40 P1, SUPER SHALLOW FOUNDATION AT ONLY 4" EXCAVATION DEPTH

TOP VIEW - ARRAY ON A CURVE

PROPRIETARY AND CONFIDENTIAL
 DO NOT COPY OR REPRODUCE
 ALL RIGHTS RESERVED



KEY CAPABILITIES

1. SIMPLE AND QUICK INSTALLATION - ONLY ONE PREFABRICATED MODULAR UNIT
2. SUPER SHALLOW FOUNDATION IS IDEAL FOR PARKING DECK OR IF BASEMENT, SUBWAY OR TUNNELS ARE BELOW (ONLY 4" DEEP).
3. SHALLOW FOUNDATION AVOIDS UNDERGROUND UTILITIES.
4. NO FIELD WELDING OR BOLTING (REDUCES INSTALLATION TIME AND COST).
5. MODULAR BOLLARD SYSTEM ACCOMMODATES TURNS, GRADE CHANGES, AND FIELD ADJUSTMENTS.
6. NO STIRRUPS OR REBAR OR TYING.
7. NO SPECIALTY COMPONENTS OR PARTS REQUIRED TO MAKE TURNS.
8. VARIETY OF BOLLARD COVERS AVAILABLE (THERMOPLASTIC, DECORATIVE, STAINLESS STEEL, LIGHTED, ETC.)



BARRIER1 SYSTEMS

8015 THORNDIKE ROAD
 GREENSBORO, NC 27409
 (336) 617-8478 (336) 617-8471 FAX
 mlamore@barrier1.us www.barrier1.us

PATENT PENDING
 THE DRAWINGS AND INFORMATION CONTAINED HEREIN ARE PROPRIETARY AND
 CONFIDENTIAL AND FOR USE BY ONLY PERSONS WORKING ON PROJECT WITH
 BARRIER1 SYSTEMS, INC. DO NOT COPY OR REPRODUCE. ALL RIGHTS RESERVED.

**SUPER SHALLOW POST
 MODEL SS-800 - 4 IN**

**WEBSITE
 DRAWING**

SHEET: 2

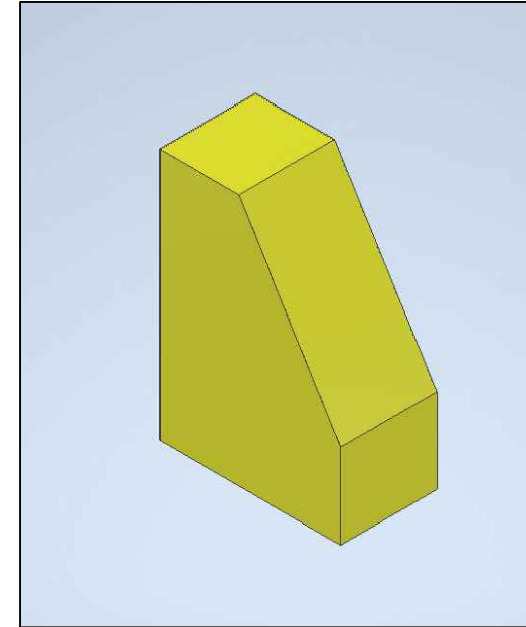
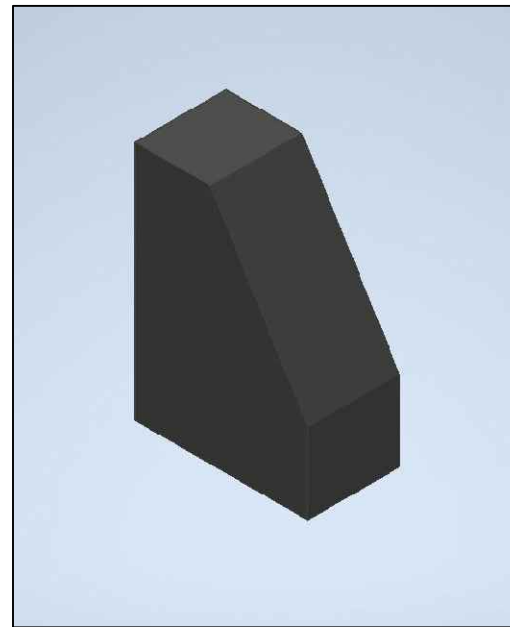
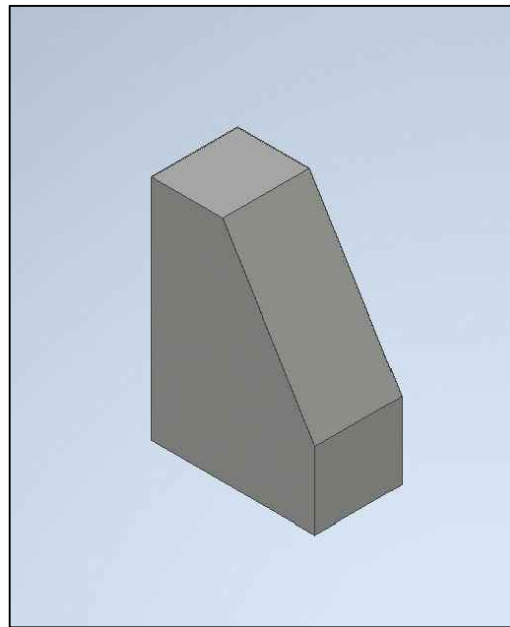
20210428-01-P

SCALE: N.T.S.

SUPER SHALLOW POST , MODEL SS-800
ASTM-M40 P1, SUPER SHALLOW FOUNDATION AT ONLY 4" EXCAVATION DEPTH

PROPRIETARY AND CONFIDENTIAL
DO NOT COPY OR REPRODUCE
ALL RIGHTS RESERVED

SAMPLE DECORATIVE COVER AND COLOR



NOTES:

1. OPTIONAL SHAPES AND COLORS CAN BE PROVIDED.
2. STAINLESS STEEL AND THERMOPLASTIC COVERS ARE AVAILABLE.
3. POWDER COATED OR ANODIZED ALUMINUM IS AVAILABLE.
4. SPECIALTY CUSTOM COVERS WITH LIGHTS AND OTHER FEATURES ARE AVAILABLE.



BARRIER1 SYSTEMS
8015 THORNDIKE ROAD
GREENSBORO, NC 27409
(336) 617-8478 (336) 617-8471 FAX
mlamore@barrier1.us www.barrier1.us

PATENT PENDING
THE DRAWINGS AND INFORMATION CONTAINED HEREIN ARE PROPRIETARY AND CONFIDENTIAL AND FOR USE BY ONLY PERSONS WORKING ON PROJECT WITH BARRIER1 SYSTEMS, INC. DO NOT COPY OR REPRODUCE. ALL RIGHTS RESERVED.

**SUPER SHALLOW POST
MODEL SS-800 - 4 IN**

**WEBSITE
DRAWING**

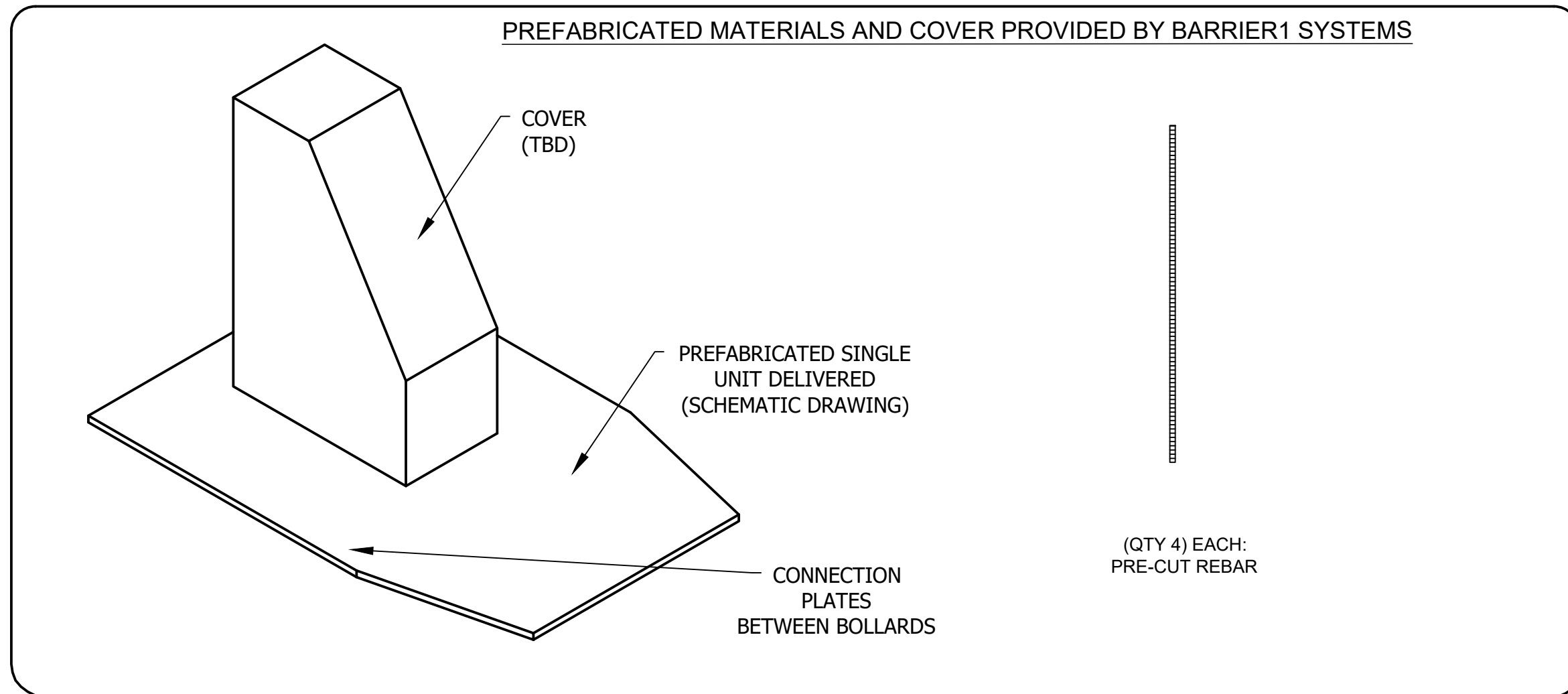
SHEET: 3

20210428-01-P

SCALE: N.T.S.

SUPER SHALLOW POST , MODEL SS-800
 ASTM-M40 P1, SUPER SHALLOW FOUNDATION AT ONLY 4" EXCAVATION DEPTH

**PROPRIETARY AND CONFIDENTIAL
 DO NOT COPY OR REPRODUCE
 ALL RIGHTS RESERVED**



MATERIALS PROVIDED BY INSTALLER
 1. 1.75 CUBIC YARDS OF CONCRETE PER 3 BOLLARD ARRAY.



BARRIER1 SYSTEMS
 8015 THORNDIKE ROAD
 GREENSBORO, NC 27409
 (336) 617-8478 (336) 617-8471 FAX
 mlamore@barrier1.us www.barrier1.us

PATENT PENDING
 THE DRAWINGS AND INFORMATION CONTAINED HEREIN ARE PROPRIETARY AND
 CONFIDENTIAL AND FOR USE BY ONLY PERSONS WORKING ON PROJECT WITH
 BARRIER1 SYSTEMS, INC. DO NOT COPY OR REPRODUCE. ALL RIGHTS RESERVED.

**SUPER SHALLOW POST
 MODEL SS-800 - 4 IN**

**WEBSITE
 DRAWING**

SHEET: 4
 20210428-01-P
 SCALE: N.T.S.