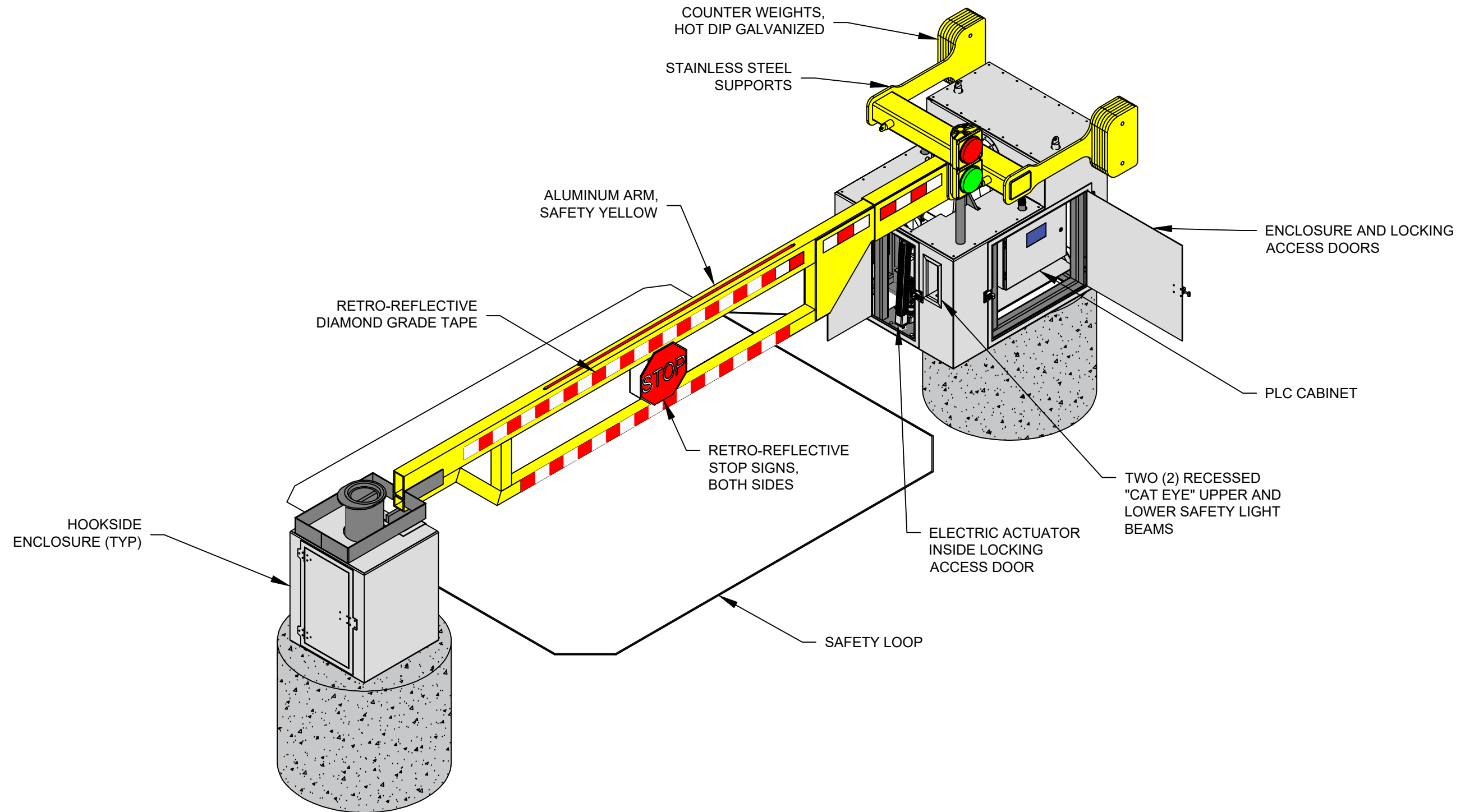


# B1 PHANTOM M50

## ELECTRIC DROP ARM CRASH BEAM - MODEL FCB-1200

CRASH TESTED TO ASTM F2656-15 - M50/P2 RATED - STOPS 15,000 LB. VEHICLE AT 50 MPH IMPACT



### BARRIER1 SYSTEMS, LLC

8015 THORNDIKE ROAD  
GREENSBORO, NC 27409  
(336) 617-8478 www.barrier1.com  
sales@barrier1.com

**PATENT PROTECTED**

THE DRAWINGS AND INFORMATION CONTAINED HEREIN ARE PROPRIETARY AND CONFIDENTIAL, AND ARE AUTHORIZED ONLY FOR USE FOR WORK ASSOCIATED WITH BARRIER1 SYSTEMS, LLC ALL RIGHTS RESERVED.

FCB-1200  
ISO VIEW

FCB-1200

SHEET: 1 OF 6

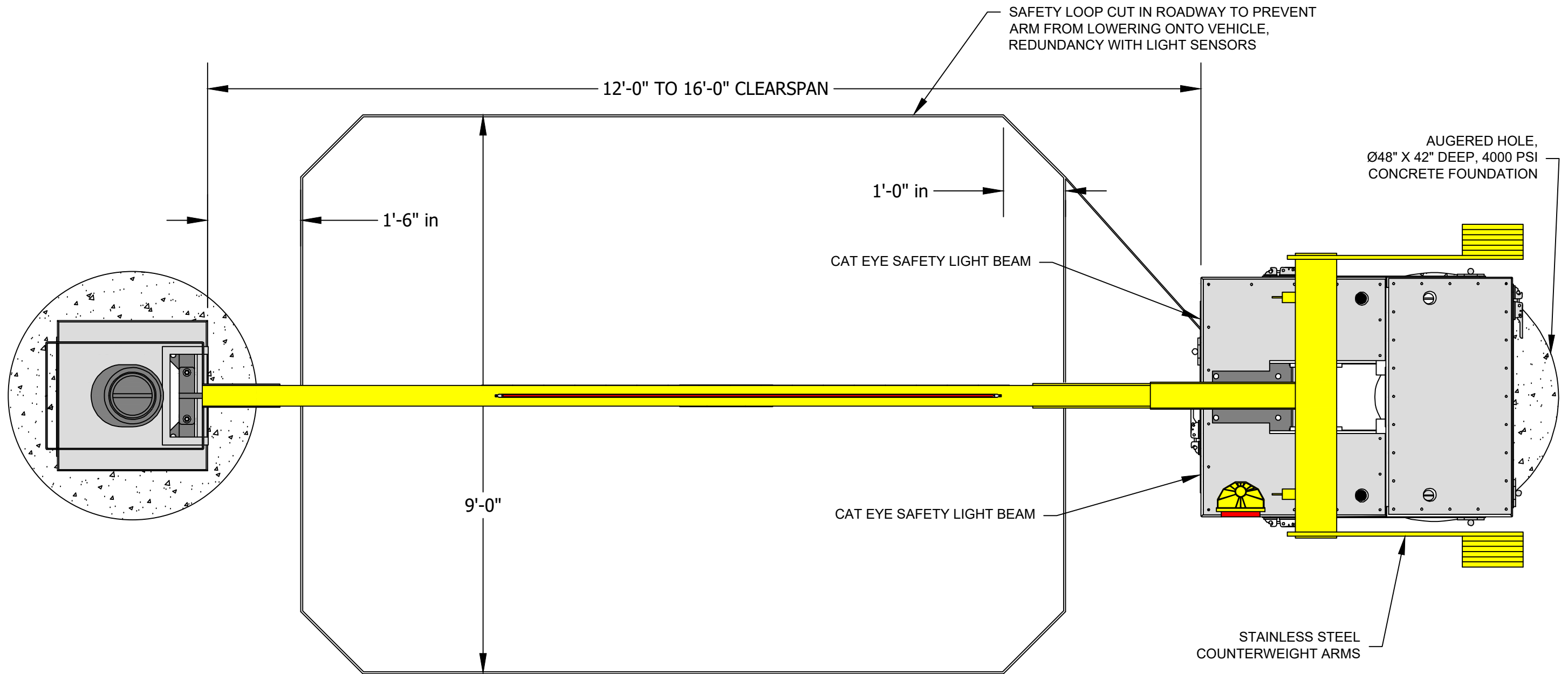
20230111-10-W

SCALE: N.T.S.

# B1 PHANTOM M50

## ELECTRIC DROP ARM CRASH BEAM - MODEL FCB-1200

CRASH TESTED TO ASTM F2656-15 - M50/P2 RATED - STOPS 15,000 LB. VEHICLE AT 50 MPH IMPACT



**BARRIER1 SYSTEMS, LLC**  
 8015 THORNDIKE ROAD  
 GREENSBORO, NC 27409  
 (336) 617-8478 www.barrier1.com  
 sales@barrier1.com

**PATENT PROTECTED**

THE DRAWINGS AND INFORMATION CONTAINED HEREIN ARE PROPRIETARY AND CONFIDENTIAL, AND ARE AUTHORIZED ONLY FOR USE FOR WORK ASSOCIATED WITH BARRIER1 SYSTEMS, LLC ALL RIGHTS RESERVED.

PLAN VIEW

FCB-1200

SHEET: 2 OF 6

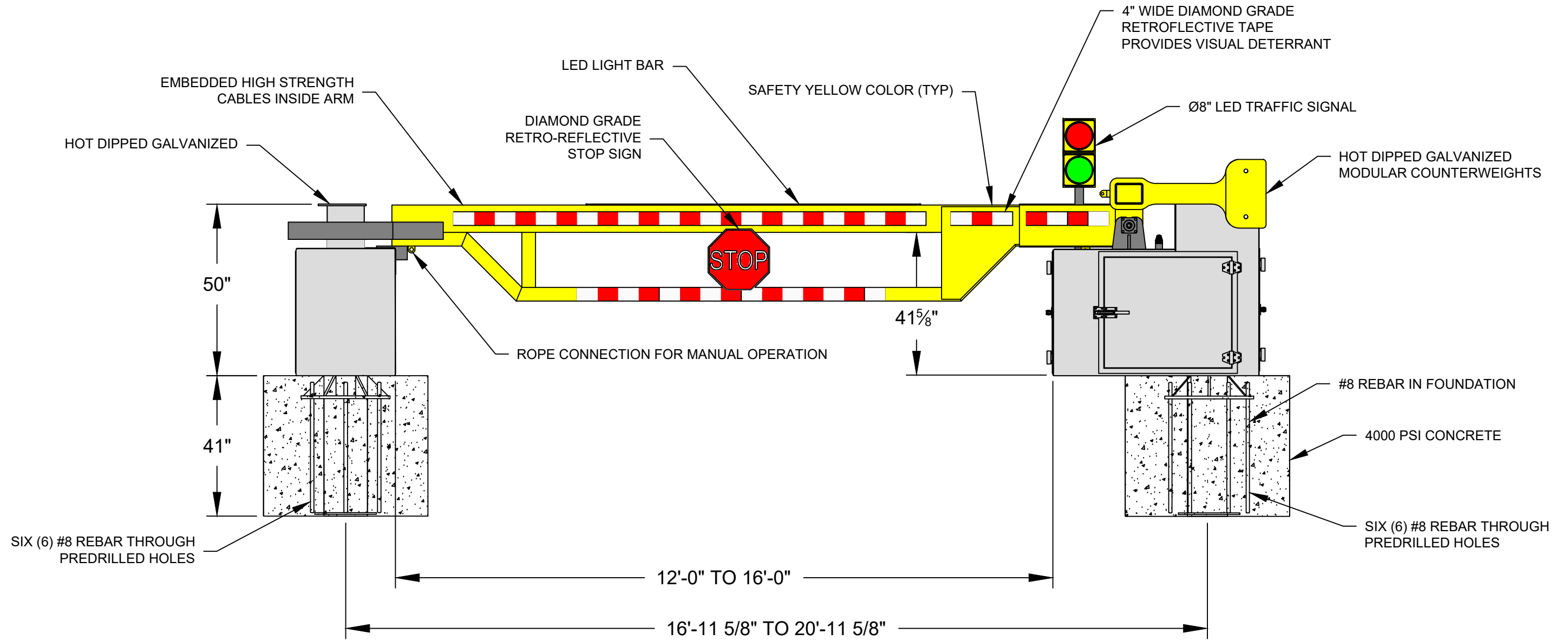
20230111-10-W

SCALE: N.T.S.

# B1 PHANTOM M50

## ELECTRIC DROP ARM CRASH BEAM - MODEL FCB-1200

CRASH TESTED TO ASTM F2656-15 - M50/P2 RATED - STOPS 15,000 LB. VEHICLE AT 50 MPH IMPACT



**BARRIER1 SYSTEMS, LLC**

8015 THORNDIKE ROAD  
GREENSBORO, NC 27409  
(336) 617-8478 www.barrier1.com  
sales@barrier1.com

**PATENT PROTECTED**

THE DRAWINGS AND INFORMATION CONTAINED HEREIN ARE PROPRIETARY AND CONFIDENTIAL, AND ARE AUTHORIZED ONLY FOR USE FOR WORK ASSOCIATED WITH BARRIER1 SYSTEMS, LLC ALL RIGHTS RESERVED.

ELEVATION VIEW  
(LOWERED)

FCB-1200

SHEET: 3 OF 6

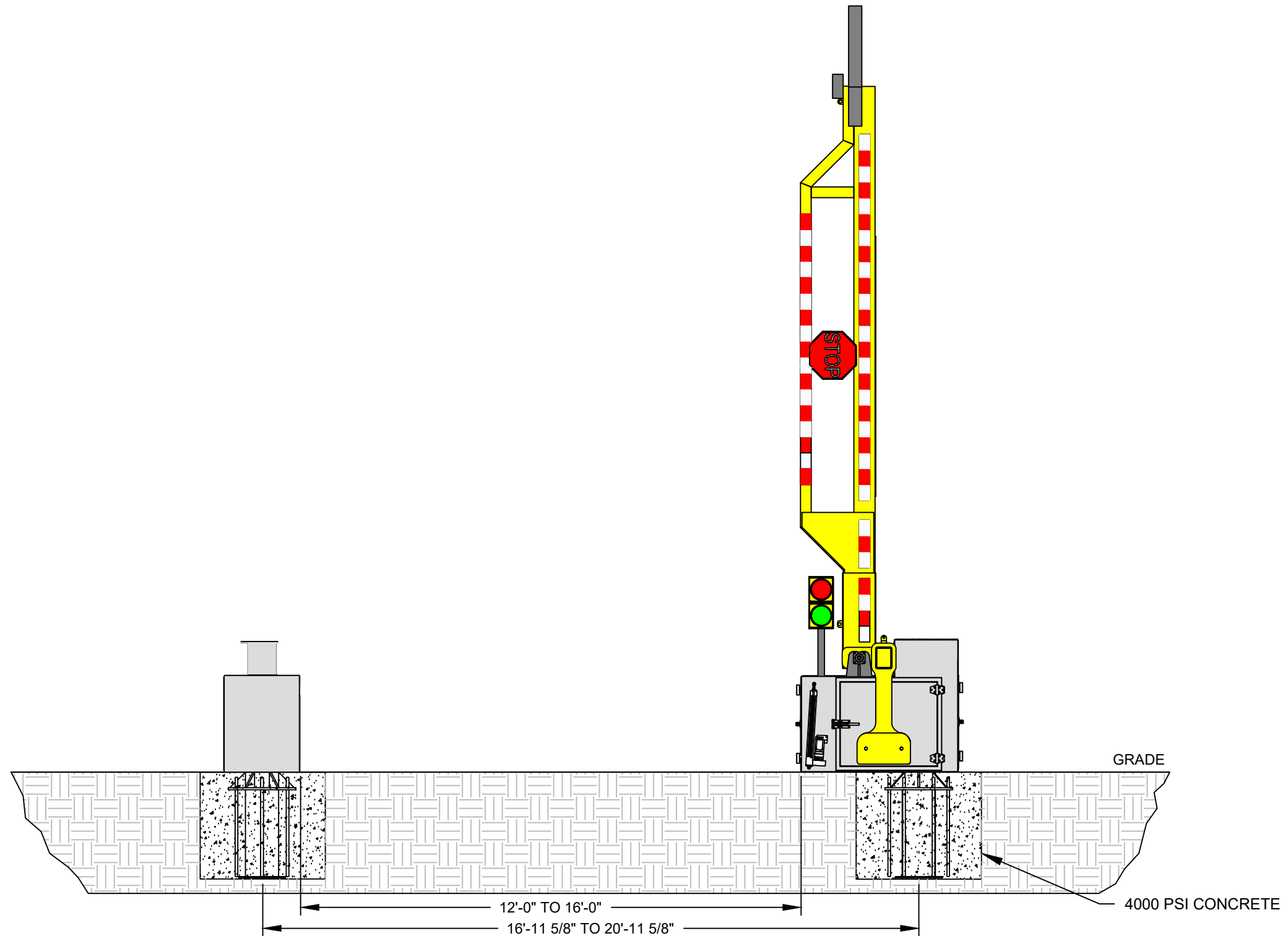
20230111-10-W

SCALE: N.T.S.

# B1 PHANTOM M50

## ELECTRIC DROP ARM CRASH BEAM - MODEL FCB-1200

CRASH TESTED TO ASTM F2656-15 - M50/P2 RATED - STOPS 15,000 LB. VEHICLE AT 50 MPH IMPACT



### BARRIER1 SYSTEMS, LLC

8015 THORNDIKE ROAD  
GREENSBORO, NC 27409  
(336) 617-8478 www.barrier1.com  
sales@barrier1.com

**PATENT PROTECTED**

**THE DRAWINGS AND INFORMATION CONTAINED HEREIN ARE PROPRIETARY AND CONFIDENTIAL, AND ARE AUTHORIZED ONLY FOR USE FOR WORK ASSOCIATED WITH BARRIER1 SYSTEMS, LLC ALL RIGHTS RESERVED.**

ELEVATION VIEW  
(RAISED)

FCB-1200

SHEET: 4 OF 6

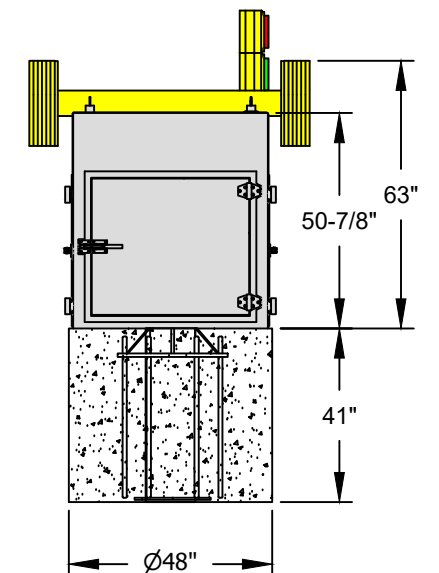
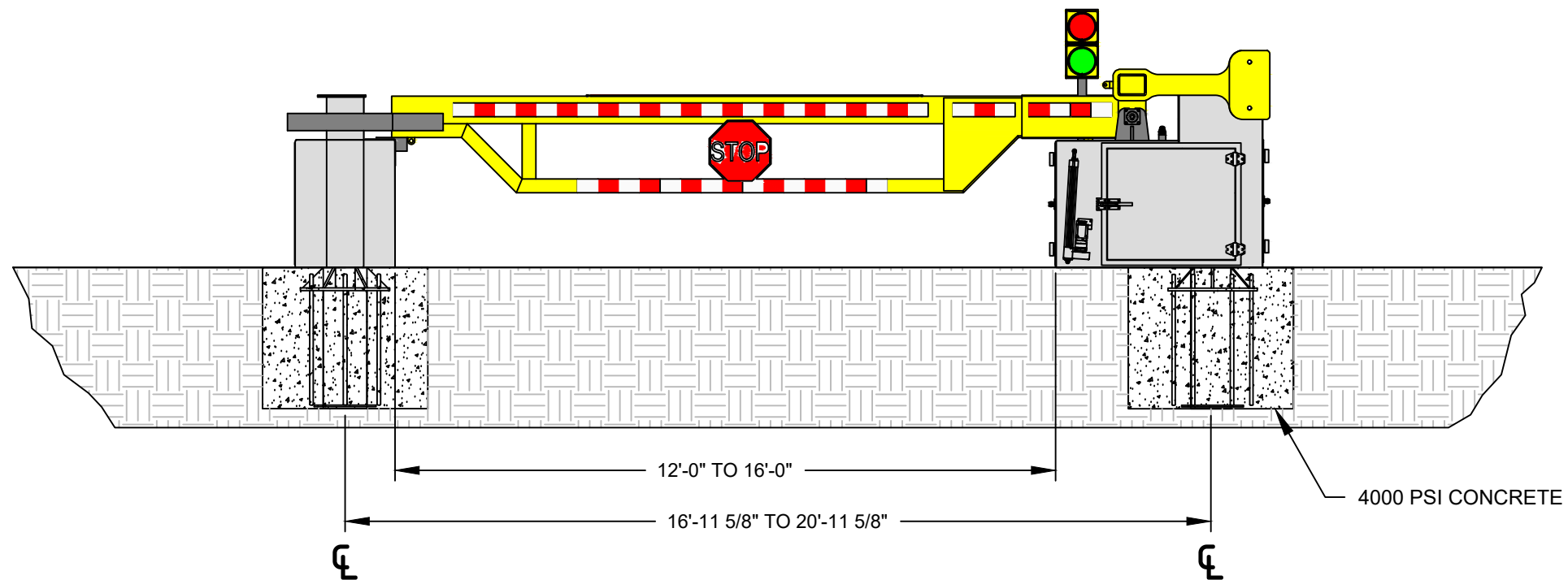
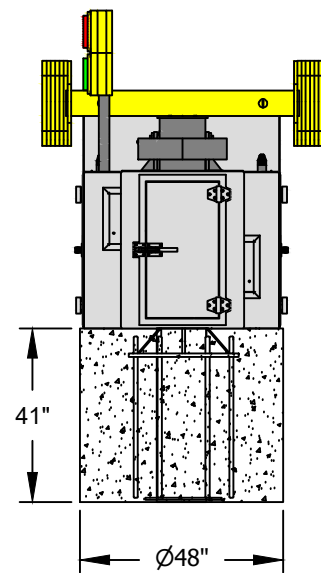
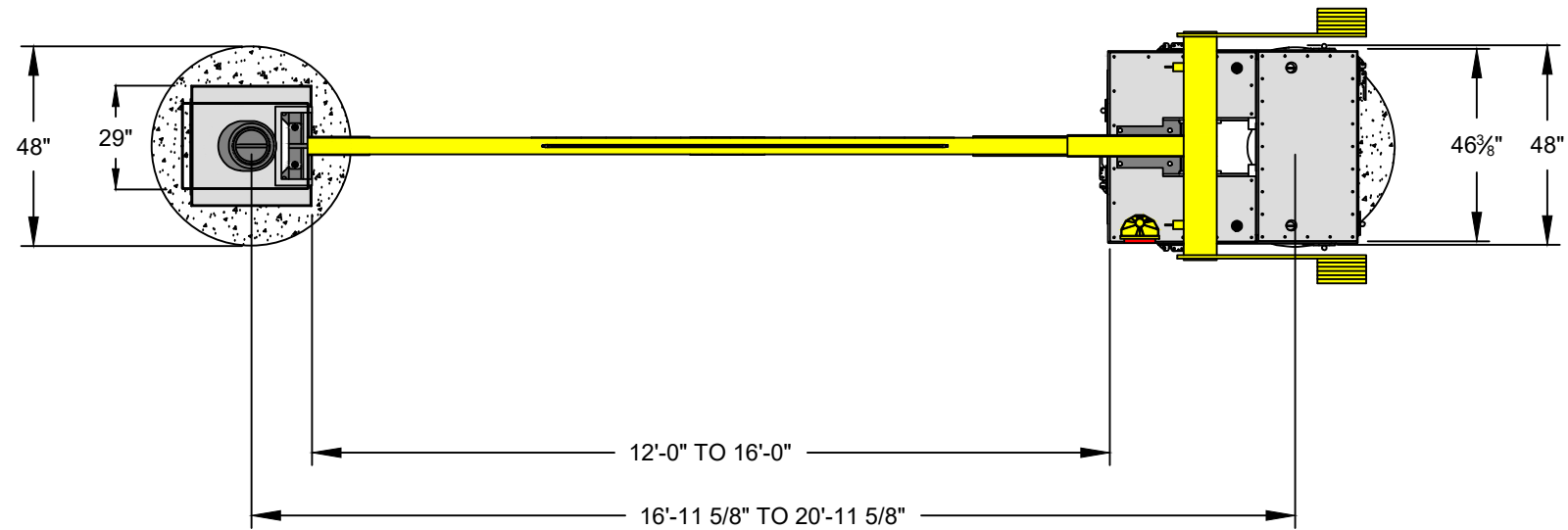
20230111-10-W

SCALE: N.T.S.

# B1 PHANTOM M50

## ELECTRIC DROP ARM CRASH BEAM - MODEL FCB-1200

CRASH TESTED TO ASTM F2656-15 - M50/P2 RATED - STOPS 15,000 LB. VEHICLE AT 50 MPH IMPACT



**BARRIER1 SYSTEMS, LLC**  
 8015 THORNDIKE ROAD  
 GREENSBORO, NC 27409  
 (336) 617-8478 www.barrier1.com  
 sales@barrier1.com

**PATENT PROTECTED**

**THE DRAWINGS AND INFORMATION CONTAINED HEREIN ARE PROPRIETARY AND CONFIDENTIAL, AND ARE AUTHORIZED ONLY FOR USE FOR WORK ASSOCIATED WITH BARRIER1 SYSTEMS, LLC ALL RIGHTS RESERVED.**

FOUNDATION DETAIL

FCB-1200

SHEET: 5 OF 6

20230111-10-W

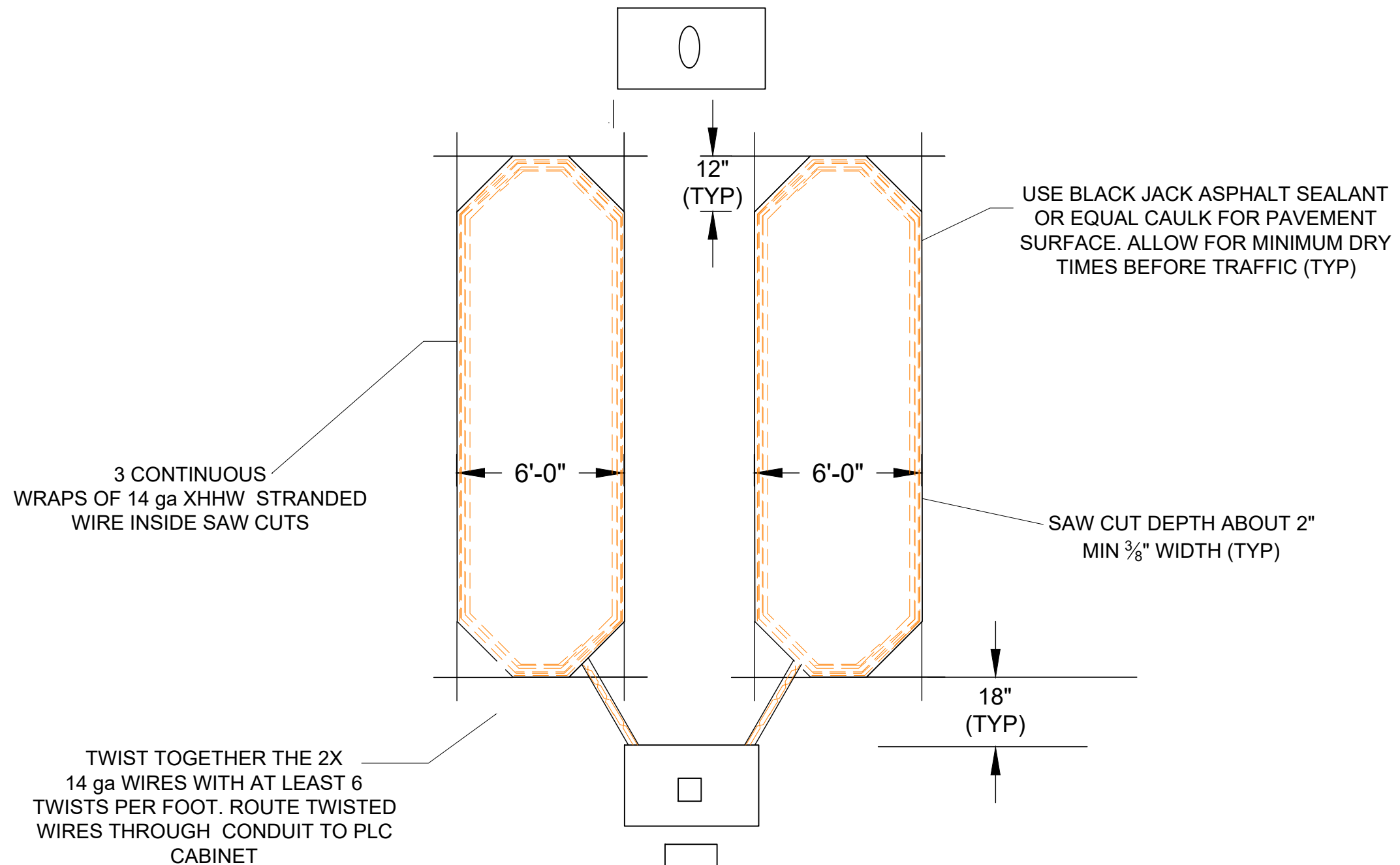
SCALE: N.T.S.

# B1 PHANTOM M50

## ELECTRIC DROP ARM CRASH BEAM - MODEL FCB-1200

CRASH TESTED TO ASTM F2656-15 - M50/P2 RATED - STOPS 15,000 LB. VEHICLE AT 50 MPH IMPACT

### TYPICAL SAFETY LOOP DETAIL



#### NOTES - SAFTEY LOOP

1. SAWCUT TO DEPTH OF ABOUT 2", ABOUT 3/8" WIDE BLADE
2. INSTALL LOOP WIRE
3. CAULK ALL SAWCUT JOINTS



#### BARRIER1 SYSTEMS, LLC

8015 THORNDIKE ROAD  
GREENSBORO, NC 27409  
(336) 617-8478 www.barrier1.com  
sales@barrier1.com

**PATENT PROTECTED**

THE DRAWINGS AND INFORMATION CONTAINED HEREIN ARE PROPRIETARY AND CONFIDENTIAL, AND ARE AUTHORIZED ONLY FOR USE FOR WORK ASSOCIATED WITH BARRIER1 SYSTEMS, LLC ALL RIGHTS RESERVED.

SAFETY LOOP WIRING DETAIL

FCB-1200

SHEET: 6 OF 6

20230111-10-W

SCALE: N.T.S.